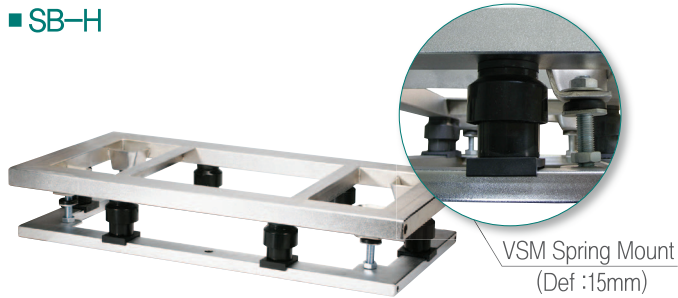


SB Elasticity Structural Base

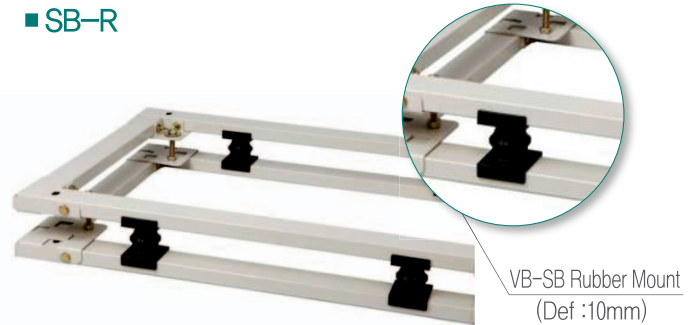
■ Features

GHP/EHP cools and heats the air through the circulation of refrigerant's heat pump cycle and it generates vibration when the compressor runs. In the case that several GHP/EHP are installed in a group, they could generate superposed oscillation, and as a result, cause damage. To prevent this, vibration isolators with a built-in stand are mounted on the equipment. This stand is double-structured with a stopper inside to ensure the structural stability against external pressure.

■ SB-H



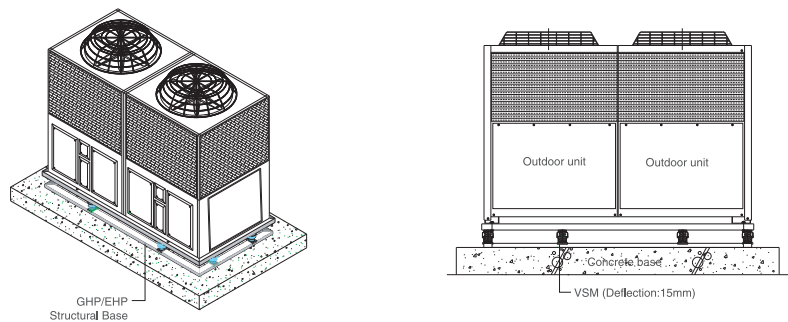
■ SB-R



■ SB-S



■ SB Installation Details Drawing



■ Installation Features

