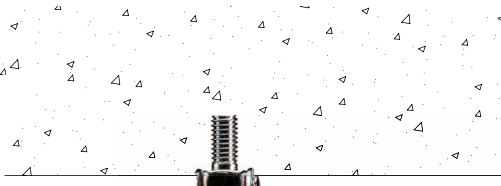


Branch Pipe End Fixture

ND-E



● Installation Standards

- 1) The end head on a branch pipe should be fixed so that there is no excessive movement in the vertical and horizontal directions.
- 2) The hanger to be installed on a branch pipe shall be installed according to the Fire Safety Standard for Sprinklers, Article 8, paragraph 13.
- 3) The installation position of a branch pipe sway brace support shall be within 0.6 m from the last hanger.
- 4) If the length of a hanger installed between a branch pipe and ceiling is 150 mm or less and the branch pipe is fixed by a hanger that is installed at less than 45 degrees from the vertical direction, it is possible not to install a head fixture.

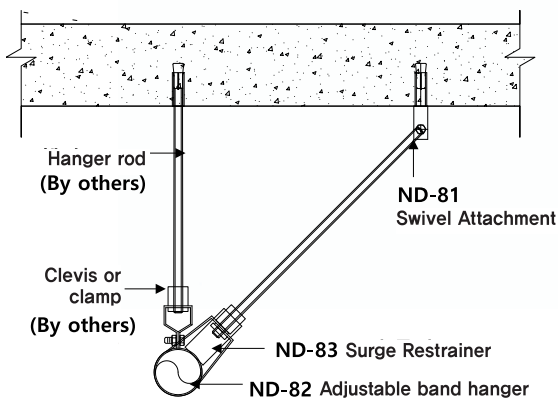
● ND-81



● ND-82 (25A~50A)



● ND-83



ND-84 (Beam Structure Attachment)



〈For branch pipe end fixing〉

● Features

A beam structure attachment is used to attach a seismic system to a beam structure.
Mainly used when a seismic anchor cannot be used or welding is not allowed.

- **Material** : Rolled steel
- **Applicable specification** : 10mm ~32mm