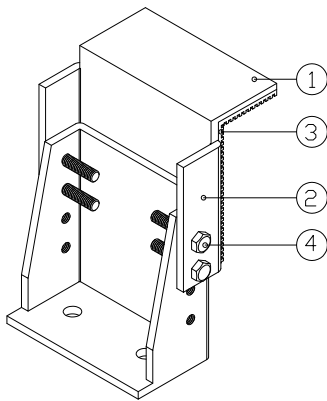


NSS-13 KFI

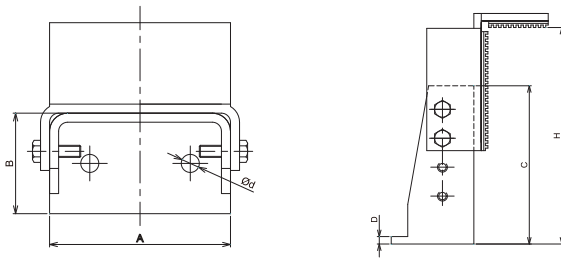


● Features

This product is a stopper that prevents movement and falling in the event of an earthquake. To prevent moving of the product in the event of an earthquake, the product is installed at least 6 mm away from the target equipment. Such a gap will allow the product to not have an influence on the anti-vibration capabilities of the equipment under normal circumstances. It has a simple structure and an advantage that its size can be adjusted according to the installation site using height adjustment bolts.

● Product components

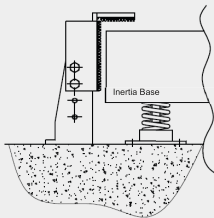
No.	Name	Material
1	Upper Housing	Hot Rolled Carbon Steel Sheet
2	Rubber Pad	NR
3	Lower Housing	Hot Rolled Carbon Steel Sheet
4	Bolt	Steel for Machine



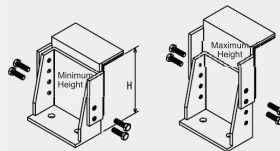
● Instruction and Installation Manual

The vibration stopper must be installed according to the anti-vibration design standards of the firefighting facility and installation instructions of the manufacturer. The anchor must be installed vertical to a flat concrete surface. After drilling a hole that matches the anchor specification, make sure to remove all dust and debris from the hole. Use the dedicated punch and hammer for anchors to expand the cap inside, and make sure that installation is securely conducted. (Non-specification anchors should be used after contacting the manufacturer) Install the stopper so that the movement stopper surface does not come in contact with the inertia base. Before attaching the top to the bottom using bolts, make sure to remove all dust and debris on attachment surfaces. Stopper height can be adjusted in three levels according to the height of the inertia base. Install four bolts and make sure they are fastened properly.

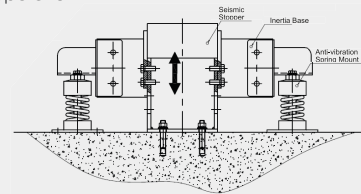
① Select the stopper type according to the height of the inertia base and equipment capacity



② Install bolts while adjusting the height of the anti-vibration stopper according to the height of the inertia base, and tighten the four bolts alternately to maintain the right and left balance (L > R > L > R, or vice versa) / (Adjustable Stopper Heights: 262 mm, 227 mm, 192 mm)



③ Install the anti-vibration stopper at a distance from the equipment where it does not come in contact during normal operation



● DIMENSION & SELECTION GUIDE BY LOADS

TYPE	Application Load (kgf)	Dimension(mm)					
		A	B	C	D	H	Ød
NSS-13-500	500kgf	180	100	190	262~192	18	M12xL40
NSS-13-1000	1,000kg	234	100	100			

NOTE : 1. Specifications and dimensions may be changed without prior notice for the enhancement of product performance and quality.

It is possible to adjust height H according to base height.

2. The product picture above may differ from the actual product.