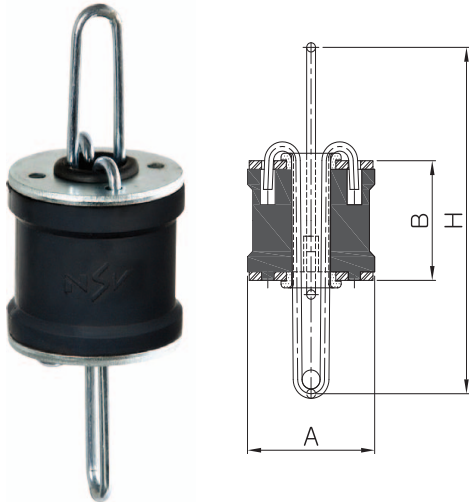


RH20 Ceiling Rubber Hanger (Deflection : 5mm)

※ The model name of CH product has changed to RH20



■ Features

It is a vibration-control hanger equipped with galvanized steel inside vibration-proof neoprene rubber. It has two wires at the top and bottom, which are used to suspend objects when a bolt and nut are not available. It has a static deflection of 5.0 mm, capable of keeping the natural vibration down to 7 Hz.

■ Usage

- ◆ For machine rooms, small pipes in air-conditioning room and ducts
- ◆ For structures installed on the ceiling of, for example, studio and acoustical laboratory

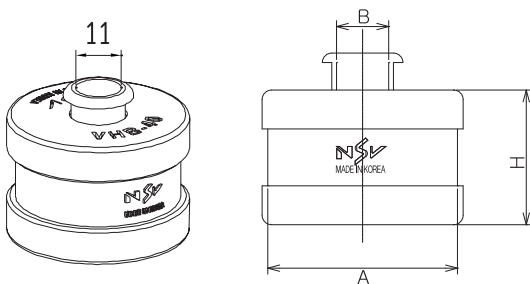
■ Dimension & Selection Guide

Type	Capacity(kgf)	Hardness(Hs)	Weight(kg)	Color(Steel)	Dimension(mm)		
					A	B	H
RH20-50	25~50	50±5	0.06	Silver	35	32	97
RH20-60	45~70	60±5	0.06	Gold			

(NOTE) The mentioned size and scale can be altered to improve the quality performance and capacity of the product without any notice.

RH30 Rubber Hanger (Deflection : 3.5~5mm)

※ The model name of VHB product has changed to RH30



■ Features

The hanger consists of neoprene vibration-proof rubber body where top and bottom are steel capped. It is mainly used as vibration-proof purpose for small fan and pipe duct and its static displacement is 5mm. It can stand the weight of 100kgf.

■ Usage

- ◆ Vibration-proofing for small fan, duct in line fan
- ◆ Vibration-proofing for ceilings of studio, acoustical laboratory, etc.

■ Dimension & Selection Guide

Type	Capacity (kgf)	Hardness (Hs)	Deflection (mm)	Dimension(mm)		
				A	B	H
RH30-30	100	60±5	3.5	30	11	18
RH30-40	120		5.0	42		28

(NOTE) The mentioned size and scale can be altered to improve the quality performance and capacity of the product without any notice.