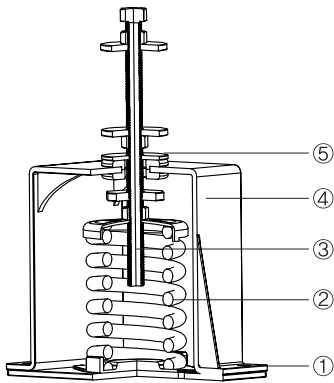


SFSA2

Restrained Spring Mount (Deflection: 25mm)



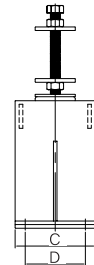
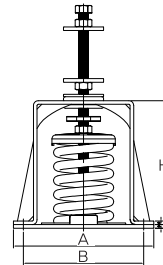
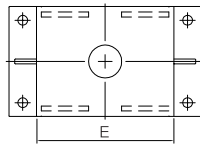
● Features

SFSA2 improves the conjunction method of an upper house to prevent breakaway of springs when an external load is applied. In a normal state, a spring mount provides vibration isolation, but upper housing integrated with lower housing serves for the prevention of spring breakaway when an external load is applied. To prevent a direct collision of an adjusting bolt and housing, a rubber bushing is used in the product.

● Product components

No.	Name	Material	Specification
1	Lower Housing	SS400	KS D 3504
2	Coil Spring	SS400	KS M 6617
3	Leveling Bolt	SUP9	KS B 2402
		HSW3	KS B 2403
4	Upper Housing	SS400	KS B 1002
5	Rubber bushing	CR	KS D 3504

- Application
- For vibration and seismic isolation of a standing pipe
 - For high efficiency vibration and seismic isolation of a pump (ground floor)
 - For high efficiency vibration and seismic of isolation equipment where silence is required



● DIMENSION & SELECTION GUIDE BY LOADS

TYPE	Rated load (kgf)	Spring constant (kgf/mm)	Displacement (mm)	Color	Dimension(mm)						
					A	B	C	D	E	H	G
SFSA2-A-50	50	1.0	50	Red	180	235	6	280	140	230	90
SFSA2-A-100	100	2.0		Blue							
SFSA2-A-150	150	3.0		Brown							
SFSA2-A-200	200	4.0		White							
SFSA2-A-300	300	6.0		Orange							
SFSA2-B-400	400	8.0	50	Pink	220	285	6	320	180	270	130
SFSA2-B-500	500	10.0		Green							
SFSA2-B-600	600	12.0		Blue							
SFSA2-B-750	750	15.0		Black							
SFSA2-C-1000	1,000	20.0	50	Yellow	250	310	9	350	200	300	150
SFSA2-C-1200	1,200	24.0		Red							
SFSA2-C-1800	1,800	36.0		Blue							
SFSA2-D-2400	2,400	48.0	50	Brown	290	345	12	390	240	340	190
SFSA2-D-3200	3,200	64.0		White							
SFSA2-D-4000	4,000	80.0		Orange							

NOTE: Specifications and dimensions may be changed without prior notice for the enhancement of product performance and quality.