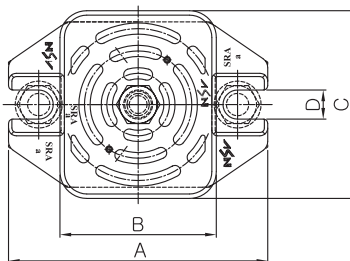
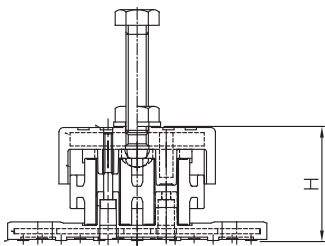
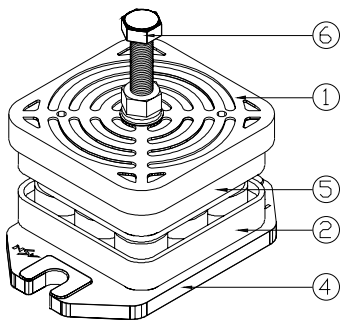


SRA Spring Rubber Mount (Deflection : 6~12mm)



■ Features

SRA mount is an improved version of SRM spring rubber mount with upgraded shock and vibration control effects. With SRP spring rubber pad, it facilitates control of the level and moreover, this pad can be installed in 2 layers to increase efficiency. It is designed to insert a reinforcing plate in-between in order to remove insecurity when displacement increases and to bear the load in a stable manner while preventing separation. On the top and bottom of the SRA mount, bumpy neoprene housing with reinforcing material inside is mounted to prevent slipping from the equipment and to shut out structure-borne noise.

■ Usage

- ◆ For facilities and equipment (for example, pump, AHU and fan)
- ◆ For vertical/horizontal pipes and ducts
- ◆ For industrial equipment
- ◆ For machines that generate vibration in horizontal and vertical directions

■ Specification

No.	Name of Components	Material	Standard
1	Upper Housing	CR	KS M 6617
2	SRP PAD	CR+SUP9	KS M 6617
3	Bolt	SS400	KS B 1003
4	Lower Housing	CR	KS M 6617
5	Middle plate	SS400	KS D 3503
6	Level Bolt	S400	KS B 1002

■ Dimension & Selection Guide

Model	Type	Capacity (kgf)	Deflection (mm)	Weight (kg)	Dimension(mm)					
					A	B	C	D	H	Level Bolt
SRA	SRA-100	100	6	0.64	116	89	84	13	51	M10 x 60
	SRA-200	200		0.66						
	SRA-400	400		1.86						
	SRA-600	600		1.88						
	SRA-800	800		1.84						
SRA-2	SRA-2-100	100	12	0.82	116	89	84	13	85	M10 x 60
	SRA-2-200	200		0.86						
	SRA-2-400	400		2.50						
	SRA-2-600	600		2.52						
	SRA-2-800	800		2.60						

(NOTE) The mentioned size and scale can be altered to improve the quality performance and capacity of the product without any notice.