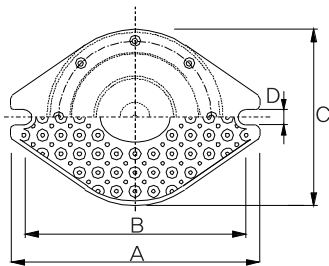
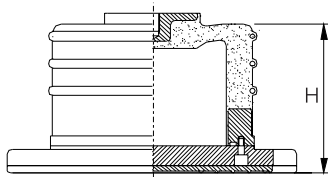
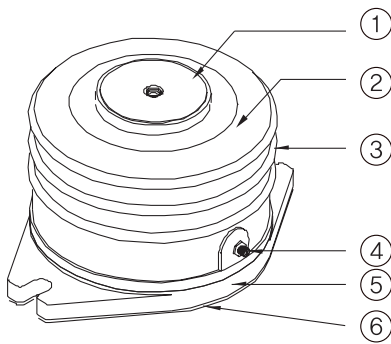


VAM10 Air Mount (Airpressure : 1.5~6Kg/mm)

※ The model name of VAM product has changed to VVM10



■ Features

An air spring mount is a highly-efficient mount offering features of acyuator as well as an isolator like a coil spring and anti-vibration pad. It can maintain constant vibration isolation efficiency and lower the system's natural frequency down to 2.5~5Hz. Plus, its height can be controlled through the control of internal air pressure and installed in a lower position than the conventional coil spring mount. It allows for a quite, noiseless operation, as it has a structure that does not transfer noise.

■ Usage

- ◆ For vacuum pumps and air compressors
- ◆ For optical measurement equipment and high-precision, semi-conductor manufacturing equipment
- ◆ For a power generator high-speed press
- ◆ For HVAC equipment and industrial machines

■ Specification

No.	Name of Components	Material	Standard
1	Upper Housing	AL	KS D 2331
2	Body	NBR	KS M 6642
3	Reinforcing Ring	SS400	KS D 3503
4	Air Value	BRASS	—
5	Lower Housing	AL	KS D 2331
6	Non Skid Pad	CR	KS M 6617

■ Dimension & Selection Guide

Type	Capacity(kgf)		Design Pressure (kg/cm ²)	Dimension(mm)					
	Min.	Max.		A	B	C	D	H	Level Bolt
VAM10-150	50	150	1.5~5.0	150	130	105	11	67	M12
VAM10-300	75	300	1.5~6.0	180	160	124	13	93	M12
VAM10-600	150	600	1.5~6.0	250	230	172	13	93	M12
VAM10-1200	300	1200	1.5~6.0	350	330	246	13	93	M16
VAM10-2400	1250	2400	1.5~6.0	480	460	340	14	95	M20

(NOTE) The mentioned size and scale can be altered to improve the quality performance and capacity of the product without any notice.