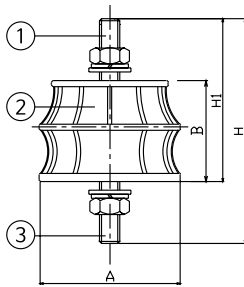


VB-1000 Rubber Mount (Deflection : 5.0~9.0mm)

※ The model name of VB product has changed to VB-1000



■ Features

As a Bobbin (cylindrical) mount, it has the reinforcing of a steel plate on the top and bottom. It is excellent in reducing vibration and structure-borne noise resulting from impact. It is made of neoprene synthetic rubber, having outstanding oil and ozone resistance, and with the fixing rod on the top and bottom, it can be easily fastened using a nut.

■ Usage

- ◆ For small pumps, small ventilators, package air conditioning systems and plant rooms
- ◆ For all kinds of industrial machines and equipment

■ Specification

No.	Name of Components	Material	Standard
1	Bolt(upper)	SS400	KS B 1002
2	Rubber Mount	CR	KS M 6617
3	Bolt(lower)	SS400	KS B 1002

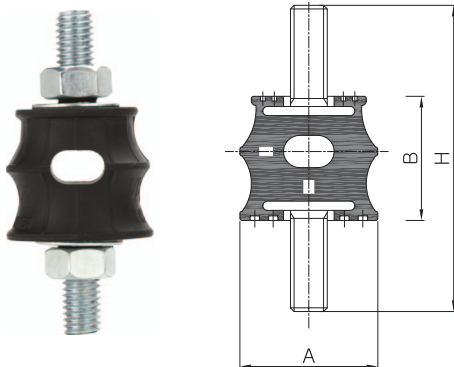
■ Dimension & Selection Guide

Type	Capacity(kgf)	Hardness(Hs)	Deflection(mm)	Dimension(mm)				
				A	B	H	H1	Bolt
VB-1040	50	60±5	5.0	40	35	86	60	M8 x 30
VB-1050	70			50	40	92	65	M8 x 30
VB-1060	100			60	40	101	70	M10 x 35
VB-1070	180		7.0	70	50	111	80	M10 x 35
VB-1080	300			80	50	111	80	M10 x 35
VB-1100	500			100	55	124	90	M12 x 45
VB-1120	800		9.0	120	55	132	94	M16 x 50
VB-1150	1000			150	60	150	105	M16 x 55

(NOTE) The mentioned size and scale can be altered to improve the quality performance and capacity of the product without any notice.

VB-1030H Rubber Oval Mount (Deflection : 5.0~9.0mm)

※ The model name of VBO-30 product has changed to VB-1030H



■ Features

The VB-1030H is a rubber mount with an increased static deflection and Oval hole at the center to maintain the stable operation of the equipment against horizontal vibration. It has the hardness of 55±5 and with the M8 bolt, it can load up to 25kgf.

■ Usage

- ◆ For small pumps and small ventilators
- ◆ For small motors and measurement equipment

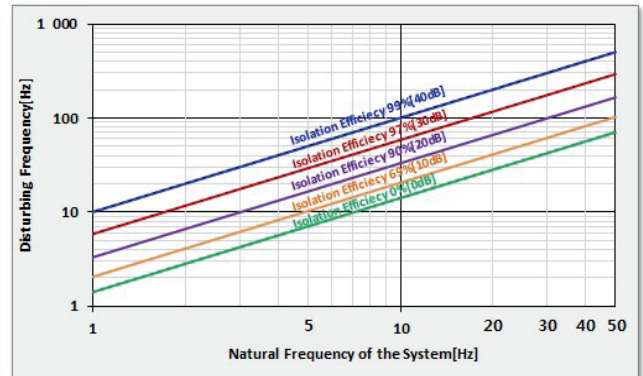
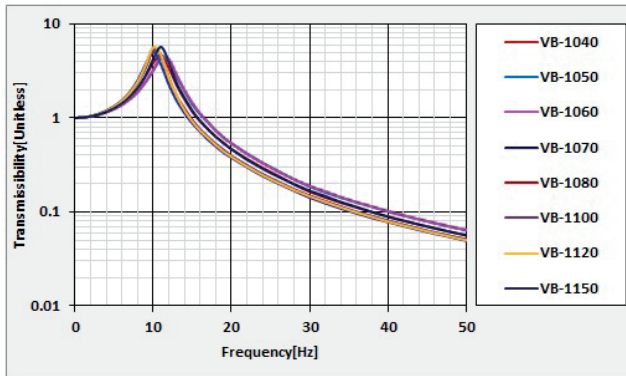
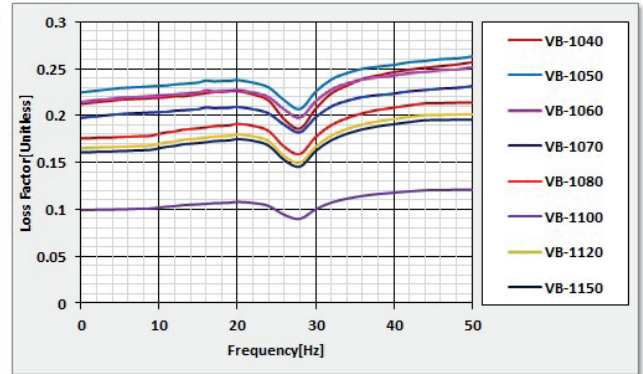
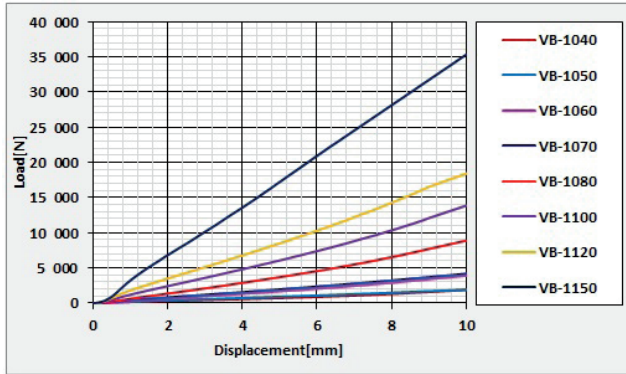
■ Dimension & Selection Guide

Type	Capacity(kgf)	Hardness(Hs)	Deflection(mm)	Dimension(mm)			
				A	B	H	Bolt
VB-1030H	30	60±5	5	30	27	66	M8 x 30

(NOTE) The mentioned size and scale can be altered to improve the quality performance and capacity of the product without any notice.

VB-1000/VB-1030H Rubber Mount

■ VB-1000 Test Data



■ VB-1030H Test Data

