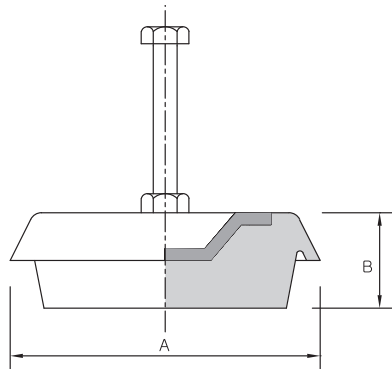
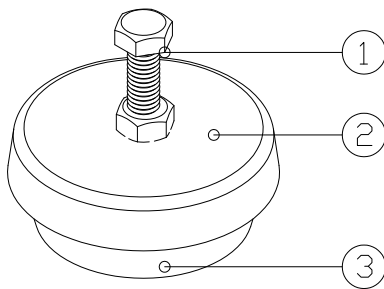
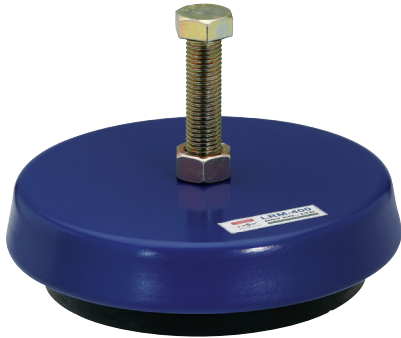


VF Foot Rubber Mount (Deflection : 3.5mm)



■ Features

The housing is made of strong steel plate with the bolt at the center to control the level when attached on the machine. Its round-shaped floor surface is made of bumpy rubber to isolate impulsive vibration and structure-borne noise, and at the same time, prevent slipping from the structure. It prevents the transfer of vibration from all kinds of machine tools in the most economical manner and reduces vibration acceleration to lengthen the life span of machines.

■ Usage

- ◆ For shock-generating machines like press and forging machines
- ◆ For all kinds of industrial machines, including injection machines, printing machines, timber manufacturers, emergency generators and transformers
- ◆ For machine tools like a lathe, grinder and milling M/C

■ Specification

No.	Name of Components	Material	Standard
1	Level Bolt	SS400	KS B 1002
2	Housing	SS400	KS D 3503
3	Rubber	CR	KS M 6617

■ Dimension & Selection Guide

Type	Capacity (kgf)	Hardness (A)	Spring Constant (kgf/mm)	Deflection (mm)	Dimension(mm)		
					A	B	Level Bolt
VF-150	150	60±5	43	3.5	80	35	M10
VF-400	400		115		120	53	M12
VF-800	800		229		160	53	M16
VF-2000	2000		572		220	60	M20
VF-6000	6000		1715		300	70	M22
VF-10000	10000		2858		400	70	M24

(NOTE) The mentioned size and scale can be altered to improve the quality performance and capacity of the product without any notice.