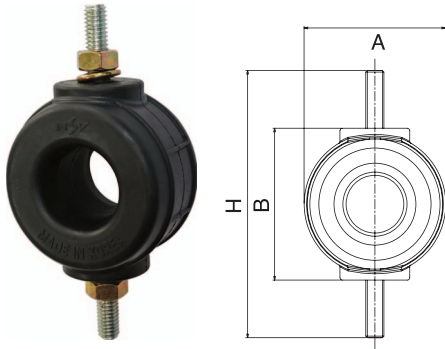


## VB-2000 Rubber Mount (Deflection : 11~20mm)

※ The model name of VO product has changed to VB-2000



### ■ Features

For VB-2000 rubber mount product, Oval hole is inserted into its center, to increase static displacement for light load, and to maintain stable transformation against horizontal vibration. Hardness of rubber mount is  $60 \pm 5$ , and is manufactured using neoprene synthetic rubber with excellent oil resistance and ozone-proof features.

### ■ Usage

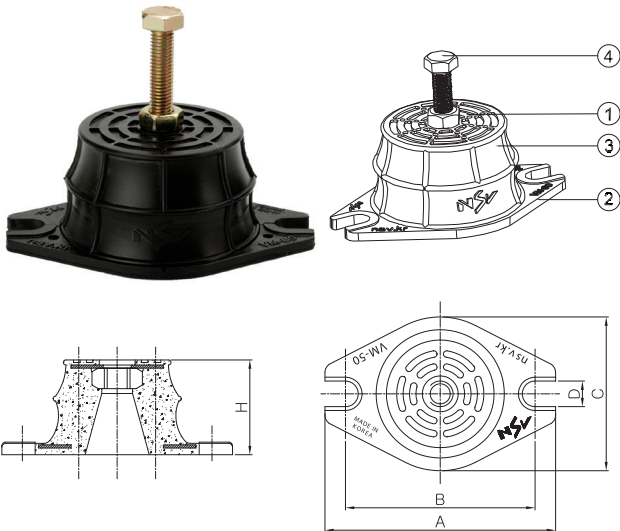
- ◆ Mini-pump, mini air blower dust protection
- ◆ Small sized motor and measuring equipment dust protection

### ■ Dimension & Selection Guide

Type	Capacity(kgf)	Spring Constant(kgf/mm)	Deflection(mm)	Dimension(mm)			
				A	B	H	Level Bolt
VB-2025	10	0.9	11	25	26	49	M5 x 15
VB-2035	16.7	1	17	34	38	61	M5 x 15
VB-2045	33.9	1.7	20	44	50	85	M6 x 20

(NOTE) The mentioned size and scale can be altered to improve the quality performance and capacity of the product without any notice.

## VM-1000 Rubber Mount (Deflection : 6~8mm)



### ■ Features

A VM-1000 mount is light, small and easy to install, so it can be used in high displacements. Plus, it has a wide application because it is designed to ensure structural stability. With a fixing nut inside the center of the neoprene rubber mount and steel plate on the top and bottom, it can be securely anchored to the ground.

### ■ Specification

No.	Name of Components	Material	Standard
1	Upper Housing	SS400	KS D 3503
2	Lower Plate	SS400	KS D 3503
3	Body	CR	KS M 6617
4	Level Bolt	SS400	KS B 1002

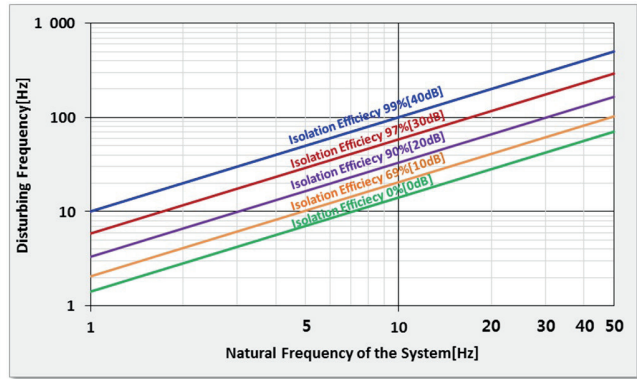
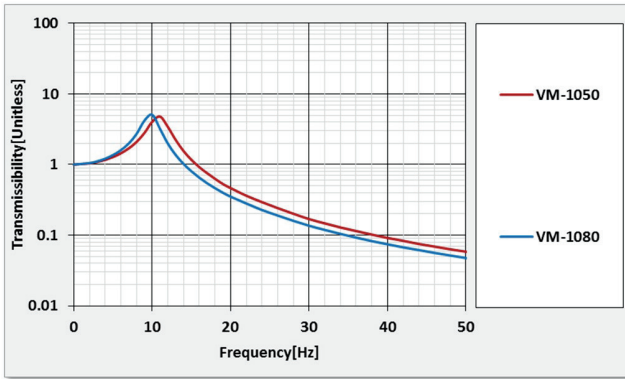
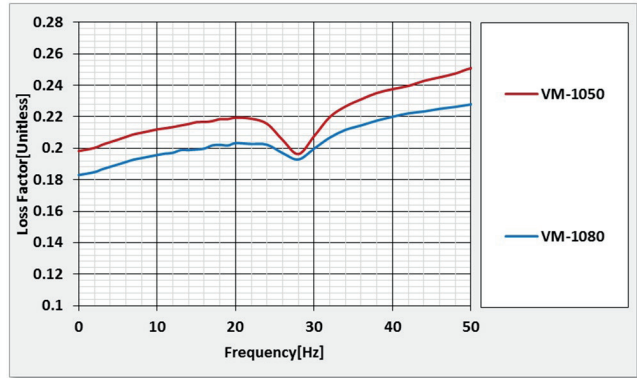
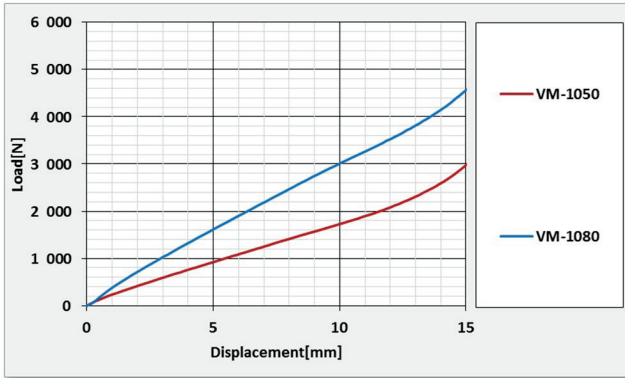
### ■ Dimension & Selection Guide

Type	Capacity(kgf)	Hardness(Hs)	Deflection(mm)	Weight(kg)	Dimension(mm)					
					A	B	C	D	H	Level Bolt
VM-1040	60	60±5	6	0.18	75	60	46	8	35	M8
VM-1050	80		6	0.21	90	74	60	10	40	M10
VM-1060	120		6	0.31	113	90	69	10	45	M10
VM-1070	150		6	0.34	130	105	81	12	50	M10
VM-1080	300		8	0.42	130	110	90	12	50	M10
VM-1100	600		8	1.78	169	140	115	13	60	M12

(NOTE) The mentioned size and scale can be altered to improve the quality performance and capacity of the product without any notice.

# VM-1000/VM-3000 Rubber Mount

## VM-1000 Test Data



## VM-3000 Test Data

