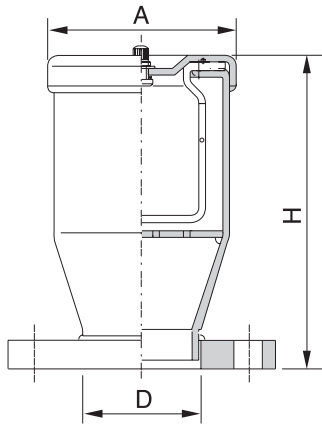


WHA-6000 Water Hammer Arrester (Flange Type)



■ Features

It is a semi-permanent water hammer arrester made up of steel with an EPDM air bag inside to prevent the leakage of air. Plus, it absorbs sudden pressure when the shut-off valve is closed. It is usually installed on top of the pump and/or the end of the fire pipe in parking space. Its volume appropriateness and reliability have been proved through 200,000 cycle tests.

- Working pressure : 10kgf/20kgf cm²
- Maximum impulsive pressure(P) : 32kgf/cm²
- Maximum working temperature : 90°C

■ Specification

No.	Name of Components	Material	Remark
1	Flange	SS400	-
2	Middle Plate	SS400	-
3	Body	SPP	-
4	Air Bag	EPDM65	-
5	Cap	SS400	-
6	Air Inlet	BS CR Plated	KS B 1503

■ Dimension & Selection Guide

Type	Dimension(mm)			Air Volume (ℓ)	Flange Connection Diameter
	A	∅D	H		
WHA-6040	124	61.1	202	0.4	40A
WHA-6050	124	61.1	202	0.4	50A
WHA-6065	124	77.1	202	0.4	65A
WHA-6080	150	90.0	232	0.8	80A
WHA-6100	150	115.0	232	0.8	100A
WHA-6125	176	141.0	265	1.4	125A
WHA-6150	176	141.0	265	1.4	150A
WHA-6200	226	166.6	315	3.6	200A
WHA-6250	226	166.6	340	3.6	250A

(NOTE) The mentioned size and scale can be altered to improve the quality performance and capacity of the product without any notice.